

# S.S Cast PN16/40 Ball Valve

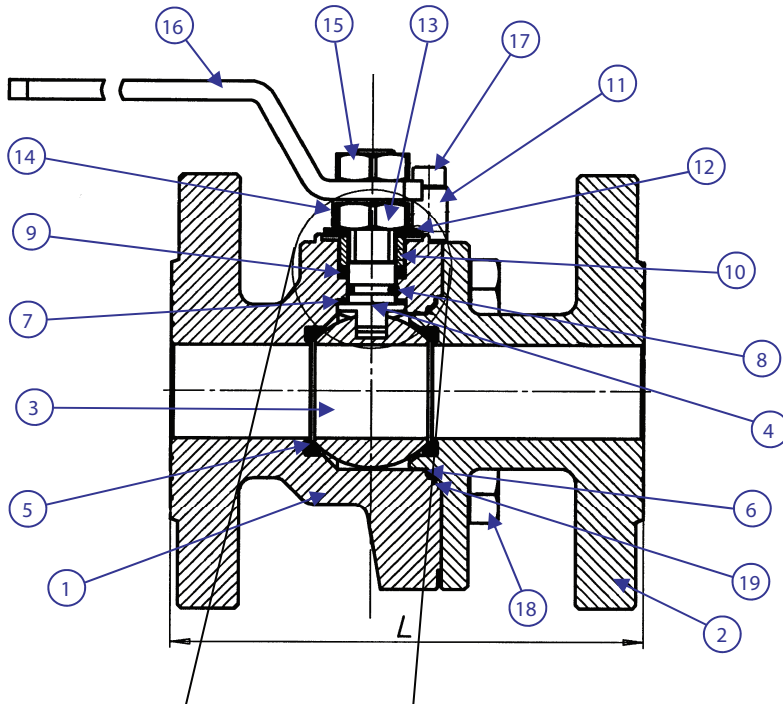
1" to 8"

Orseal Ltd.  
Lynstock Way  
Lostock, Bolton  
Lancashire BL6 4QR

Tel +44 (0)1204 474300  
Fax +44 (0)1204 474347  
E-mail: sales@orseal.com  
Web: www.orseal.com



the valve specialists



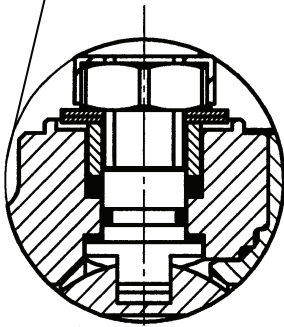
### Features:

- Split body
- Raised face
- Full bore
- Anti-static device
- Fire safe
- PN 16/40 rated
- Temp -20°C to +180°C
- Stainless steel body

### Additional options:

- Locking facility
- Actuation available
- Special gaskets
- Degreased
- Block & bleed

SIZE	1"	1.1/2"	2"	2.1/2"	3"	4"	5"	6"	8"
PN Rating	40	40	40	16	40	16	16	16	16
L=F ACE TO FACE (MM)	125	140	150	170	180	190	325	350	400



Components		Stainless steel
1	Body	AISI 316
2	Flange	AISI 316
3	Ball	AISI 316
4	Stem	AISI 316
5	Seat	PTFE
6	Side Sealing Ring	PTFE
7	Upper Sealing Ring	PTFE
8	Stem O-Ring	VITON
9	Upper Sealing Couple	PTFE
10	Gland Washer	AISI 304
11	Stop	AISI 304
12	Belleville Washers	AISI 301
13	Stem Retaining Nut	AISI 304
14	Fixing Nut Plate	AISI 304
15	Locking Nut	AISI 304
16	Lever	AISI 304
17	Stop S Crew	AISI 304
18	Flange Locking S Crew	AISI 304
19	External Side Sealing Ring	Pure Graphite

### Standards:

- Design to ANSI/ASME B16.34
- Flanges to UNI EN 1092-1
- Fire safe design according to BS 6755/ API6FA/API607
- Face to face to DN 3202
- Top flange according to BS ISO 5211
- Manufactured & Designed to BS 5351
- Pressure test to API 6D/API 598/BS EN12266-2

Orseal reserve the right make any changes on this data sheet, or to withdraw or modify any item without previous notice. Copyright of this data sheet is reserved by Orseal and it may not be copied reproduced or disclosed to a third party either wholly or in part without the consent of the above in writing.