



424 Cast Iron Gate Valve

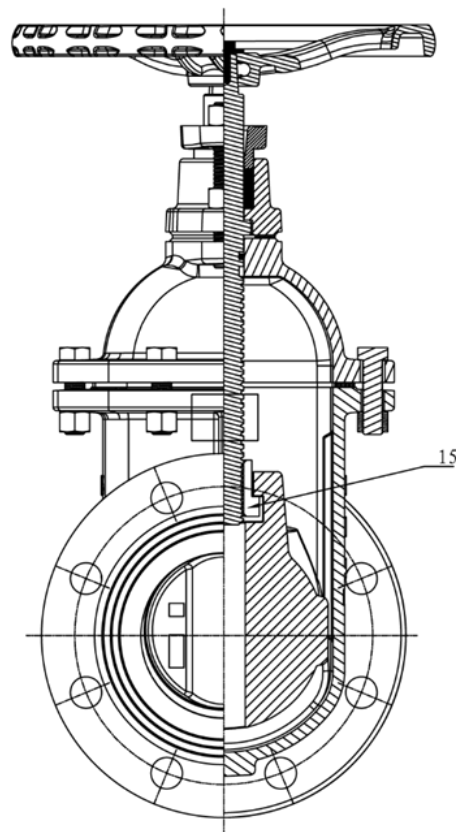
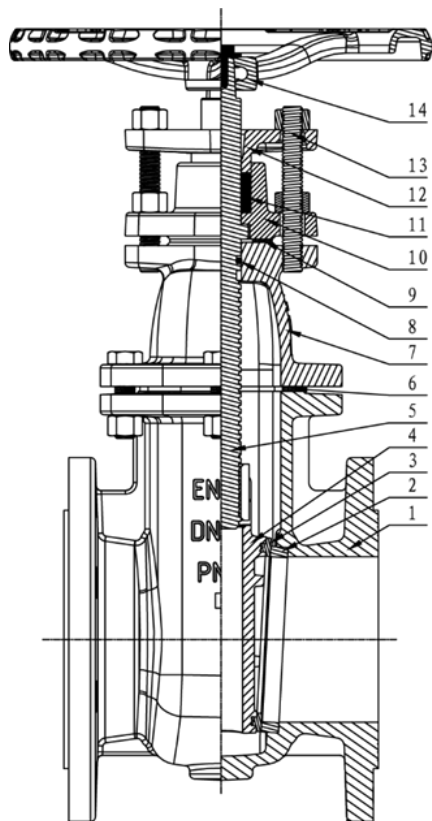
CAST IRON GATE VALVE, FLANGED ENDS PN10/16,
METAL/METAL SEAL.
TECHNICAL DATA SHEET

Overview

- Applications : Drinking water supply, water treatment, sewerage system, irrigation.
- Fluids : Drinking water, glycol water, non-aggressive fluids.
- Pressure : PN 10 bar.
- Temperature : 0 / +120°C.
- CE : According to 2014/68/EU directive.



N°	Description	Material
1	Body	Ductile iron GGG-45 / GG-25 + blue epoxy coating
2	Body seat	Brass
3	Gate seat	Brass
4	Gate	Ductile iron GGG-45 / GG-25
5	Stem	Stainless steel
6	Bonnet gasket	EPDM + PTFE
7	Middle hood	Ductile iron GGG-45 / GG-25
8	O'ring	EPDM
9	Sealing washer	EPDM
10	Top hood	Ductile iron GGG-45 / GG-25
11	Gland	EPDM
12	Packing gland	Ductile iron
13	Stud	Steel
14	Handwheel	Ductile iron GGG-45 / GG-25
15	Stem nut	Brass



www.orseal.com



01204 474300

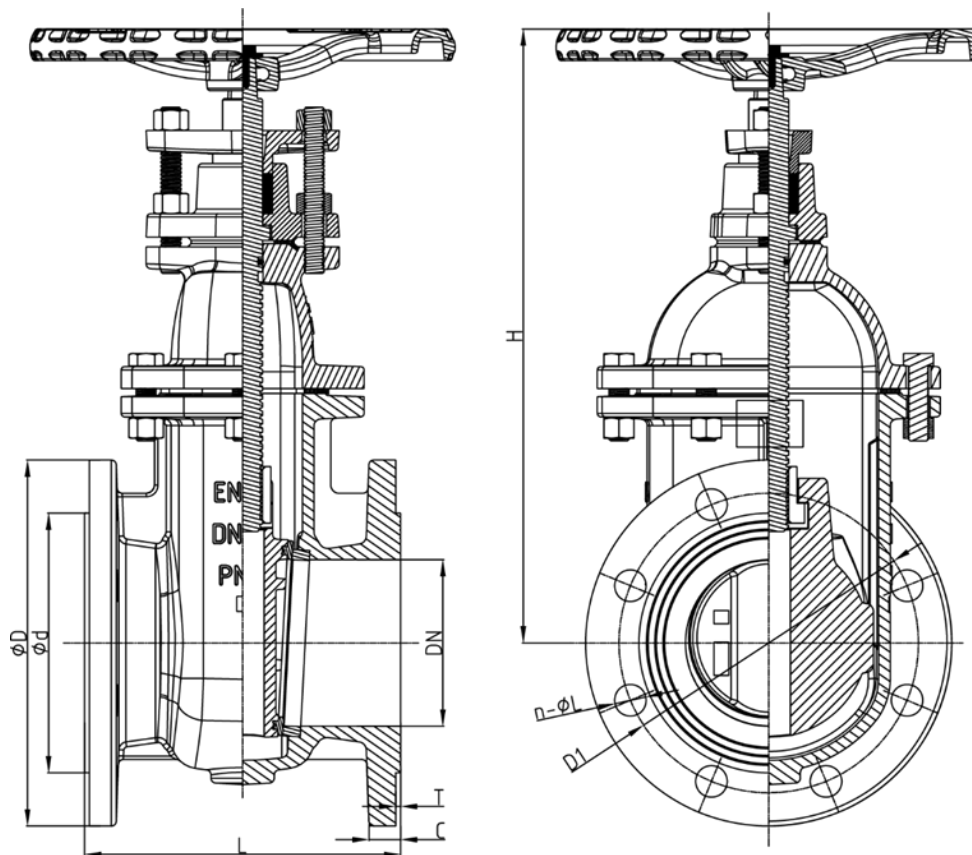
Orseal Ltd, Lynstock Way, Lostock, Bolton, Lancashire, BL6 4QR





424 Cast Iron Gate Valve

CAST IRON GATE VALVE, FLANGED ENDS PN10/16,
METAL/EPDM SEAL.

TECHNICAL DATA SHEET



DN	GN	PN (bar)	n- ϕL	L	D	D1	d	H	T	C	 	Weight (Kg)
40	10-16	10	4- $\phi 19$	140	150	110	84	256	3	19	S14	12.1
50	10-16	10	4- $\phi 19$	150	165	125	99	264	3	19	S14	15
65	10-16	10	4- $\phi 19$	170	185	145	118	280	3	19	S14	19.5
80	10-16	10	8- $\phi 19$	180	200	160	132	305	3	19	S14	22
100	10-16	10	8- $\phi 19$	190	220	180	156	369	3	19	S14	32.75
125	10-16	10	8- $\phi 19$	200	250	210	184	443	3	19	S14-2	44
150	10-16	10	8- $\phi 23$	210	285	240	211	467	3	19	S14-2	55
200	10	10	8- $\phi 23$	230	340	295	266	571	3	20	S14-2	85.5
250	10	10	12- $\phi 23$	250	405	350	319	662	3	22	S19	127.5
300	10	10	12- $\phi 23$	270	460	400	370	766	4	24.5	S19	161



www.orseal.com



01204 474300

Orseal Ltd, Lynstock Way, Lostock, Bolton, Lancashire, BL6 4QR