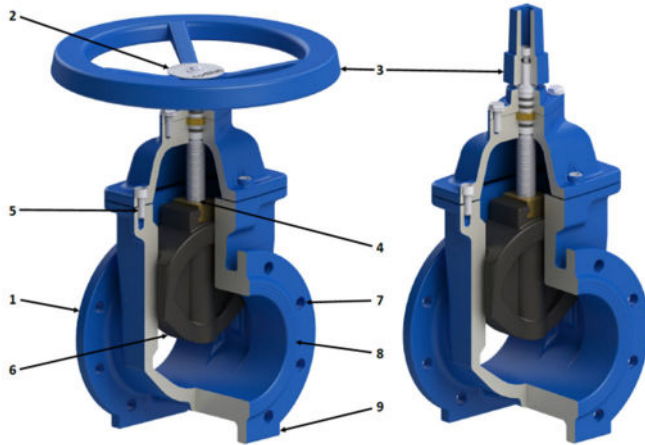




the valve specialists

# 1424 Cast Iron Gate Valve



## Description

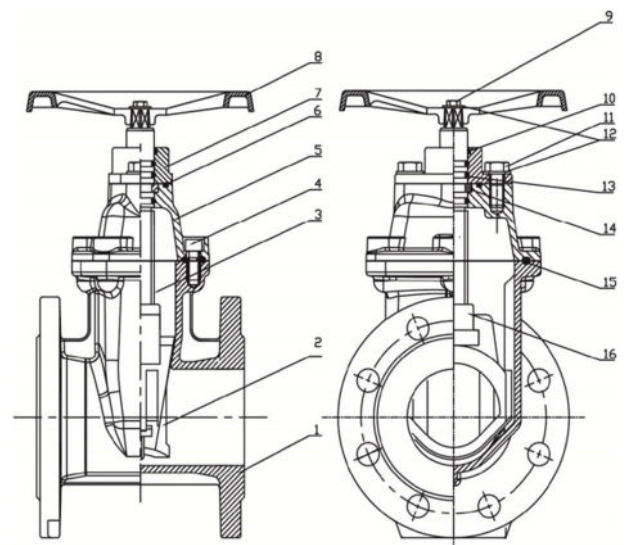
- Applications : Drinking water supply, water treatment, sewerage system, irrigation.
- Fluids : Drinking water, glycol water, non-aggressive fluids.
- Pressure : PN 10/16 bar according to the size.
- Temperature : 0 / +80°C. CE : According to 2014/68/EU directive.

## Key Features

- Ductile iron GGG-45 body + blue epoxy coating.
- Nameplate with total traceability : PN, DN, batch number (manufacturing date) and CE logos.
- Ductile iron handwheel or operating cap : clockwise close.
- Stainless steel worm drive system. Non-rising stem.
- Anticorrosive wax on bolts.
- EPDM guided gate, negligible friction, minimum operating torque.
- Flange ends PN 10/16 according to EN 1092-2 standard (adaptable to DIN2533 up to DN150).
- Standard face-to-face design according to DIN 3202 -F4.
- Storage and mounting support.

No	Description	Material
1	Body	Ductile Iron GGG-45 blue epoxy coating
2	Gate	Ductile Iron GGG-45 +EPDM
3	Stem	Stainless Steel 420
4	Screw	Steel + Zinc Coating
5	Middle Hood	Ductile Iron GGG-45 blue epoxy coating
6	Hood O-ring	NBR
7	Top Hood	Ductile Iron GGG-45 blue epoxy coating
8	Handwheel	Ductile Iron GGG-45 blue epoxy coating
9	Screw	Steel + Zinc Coating
10	Plug	EPDM
11	Screw	Steel + Zinc Coating
12	Washer	Steel + Zinc Coating
13	Stem O-ring	NBR
14	Stop ring	Brass
15	Body Gasket	EPDM
16	Nut	Brass

DN	GN	PN (bar)	D	ØD	Ød	L	H	C	T	ØV	Weight (kg)
40	10-16	16	4-Ø19	150	84	140	242	19	3	180	9
50	10-16	16	4-Ø19	165	99	150	242	19	3	180	10
65	10-16	16	4-Ø19	185	118	170	270	19	3	180	19
80	10-16	16	8-Ø19	200	132	180	305	19	3	250	22
100	10-16	16	8-Ø19	220	156	190	320	19	3	250	30
125	10-16	16	8-Ø19	250	184	200	385	19	3	300	35
150	10-16	16	8-Ø23	285	211	210	405	19	3	300	48
200	10	10	8-Ø23	340	266	230	508	20	3	300	67
	16	16	12-Ø23		266						67
250	10	10	12-Ø23	405	319	250	596	22	3	450	98
	16	16	12-Ø28		319						98
300	10	10	12-Ø23	460	370	270	685	24.5	4	450	134
	16	16	12-Ø28		370						134



Orseal Ltd, Lynstock Way, Lostock, Bolton, BL6 4QR

T: +44 (0)1204474300 / F: +44 (0)1204474347

E: sales@orseal.com

W: www.orseal.com