



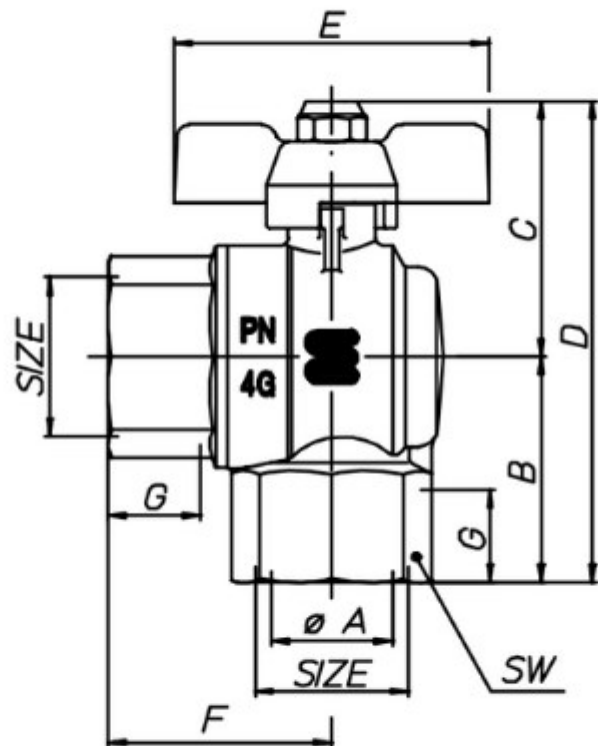
the valve specialists

# 1072 Angled MF T-Handle Ball Valve



## Description

- Full Bore
- Female to Female
- T-Handle
- Firesafe
- Body material in nickel-plated, forged brass
- Temp -20° C to +130° C
- Approvals: EN 331



No	Description	Material
1	Body	Forged Nickel Plated
2	End Adapter	Forged Nickel Plated
3	Ball	Machined Chrome-plated
4	Ball Gaskets	PTFE
5	Stem	Machined Chrome plated
6	Thrust Washer	PTFE
7	O-Rings	Elastomer
8	Lever Hand;e	Zinc-plated Steel
9	Self-locking Nut	Zinc plated, 8G Steel

Size	1/2" x 1/2"	3/4" x 3/4"	1" x 1"
∅A pass./bore	15	20	25
B (mm)	33	39	46.5
C (mm)	39.5	48.5	53
D (mm)	72.5	87.5	99.5
E (mm)	52	65	65
F (mm)	31.5	35	41.5
G (mm)	15	16.3	19.1
SW (mm)	26	32	39

Orseal Ltd, Lynstock Way, Lostock, Bolton, BL6 4QR

T: +44 (0)1204474300 / F: +44 (0)1204474347

E: sales@orseal.com

W: www.orseal.com