



the valve specialists

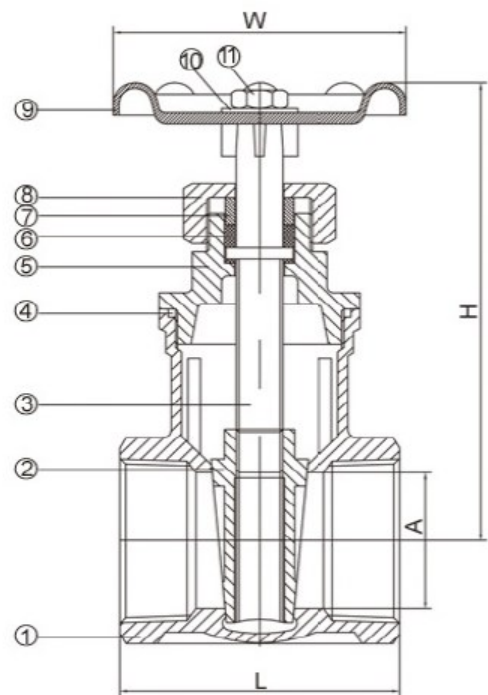
A-670T Stainless Steel Gate Valve



Description

- Threaded ends conform to ANSI B 2.1, BS 21-1973, DIN 259/2999, ISO 228
- Stainless steel class 200 inside screw and screwed bonnet, wedge disc integral seat, non-rising stem and handwheel

No.	Description	Material
1	Body	ASTM-A351-CF8M
2	Disc	ASTM-A351-CF8M
3	Stem	SS316
4	Joint Gasket	PTFE
5	Snap Washer	ASTM-A351-CF8M
6	Stem Packing	PTFE
7	High Washer	SS304
8	Packing Nut	ASTM-A351-CF8M
9	Handwheel	Cast aluminium
10	Plate	Aluminium
11	Wheel Nut	SS304



Size	A (mm)	H (mm)	L (mm)	W (mm)
1/2"	15	92	55	70
3/4"	20	97	60	70
1"	25	108.5	65	80
1-1/4"	32	123.5	76.5	80
1-1/2"	40	146	85	90
2"	50	162	95	100
2-1/2"	65	260	116	100
3"	80	295	131	120

Orseal Ltd, Lynstock Way, Lostock, Bolton, BL6 4QR

T: +44 (0)1204474300 / F: +44 (0)1204474347

E: sales@orseal.com

W: www.orseal.com