



the valve specialists

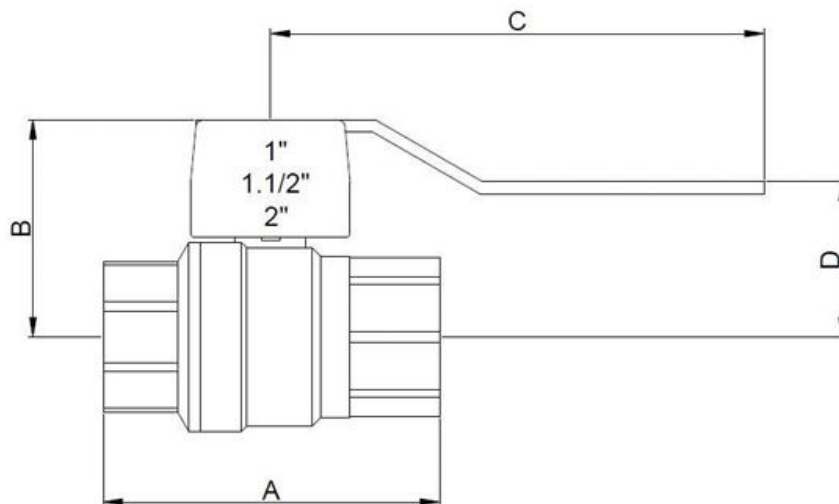
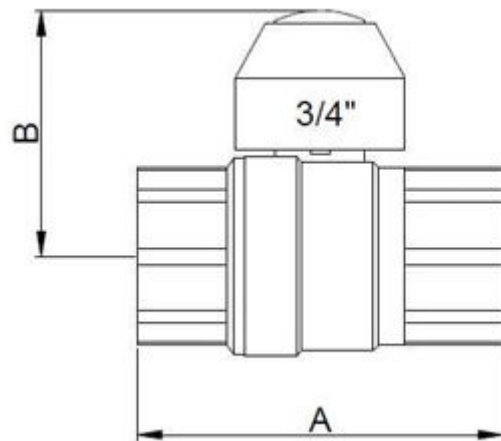
Gas Security Ball Valve



Description

- Full Bore
- British Gas Certified to EN331 & EN1775
- Underwriters Laboratories Certified
- Threaded BSP taper
- 90° Lever Operation
- 100% Pressure tested
- 3/4" requires a special key to open or close valve
- 1", 1.1/2" & 2" valves can be closed but require special key to re-open.

Size	A	B	C	F
3/4"	74	50	-	-
1"	87	56	127	40
1.1/2"	108	75	156	58
2"	133	85	156	69



Orseal Ltd, Lynstock Way, Lostock, Bolton, BL6 4QR

T: +44 (0)1204474300 / F: +44 (0)1204474347

E: sales@orseal.com

W: www.orseal.com