



the valve specialists

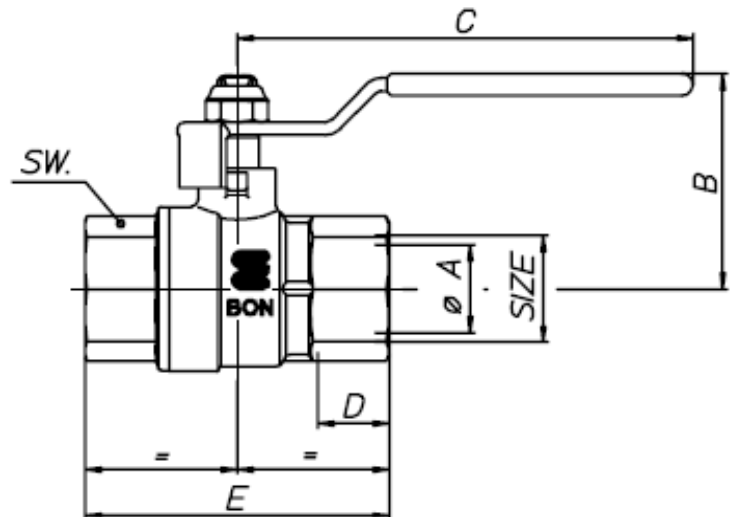
# 720PS Lockable Gas Approved Brass Ball Valve



## Description

- Full Bore
- Female to Female
- Steel Lever
- Firesafe
- Body material in nickel-plated, forged brass
- Temp  $-20^{\circ}\text{C}$  to  $+130^{\circ}\text{C}$

No	Description	Material
1	Body	Forged Nickel Plated
2	End Adapter	Forged Nickel Plated
3	Ball	Machined Chrome-plated
4	Ball Gaskets	PTFE
5	Stem	Machined Chrome plated
6	Thrust Washer	PTFE
7	O-Rings	Elastomer
8	Lever Hand;e	Zinc-plated Steel
9	Self-locking Nut	Zinc plated, 8G Steel



## Additional Features

- T-Bar Handle
- Male x Female Connections

## Standards

- Approved to the EN 331 Standard
- Screwed to UNI EN 10226 (BSPT on request)

Size	1/4"	3/8"	1/2"	3/4"	1"	1.1/4"	1.1/2"	2"
ØA pass./bore	8	10	15	20	25	32	40	50
B (mm)	34.5	35.5	41	49.5	53.5	66	72	86
C (mm)	75	75	90	105	105	120	140	170
D (mm)	11	11.4	15	46.3	19.1	21.4	21.4	23.4
E (mm)	44.5	47	59.5	70	83	98.5	108	130
SW (mm)	15/17	18/21	25	31	38	47	54	66

Orseal Ltd, Lynstock Way, Lostock, Bolton, BL6 4QR

T: +44 (0)1204474300 / F: +44 (0)1204474347

E: sales@orseal.com

W: www.orseal.com