



the valve specialists

A-621 TLD

Two piece full port ball valve



Two piece full port ball valve length screwed end, PN63, PSI1000.

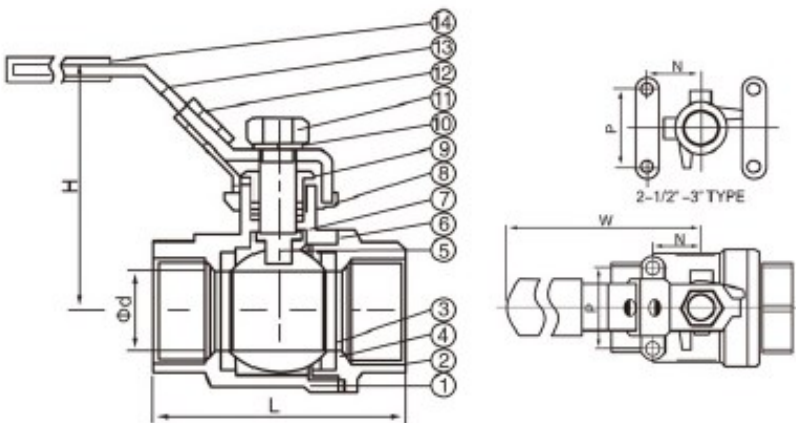
Pipe thread in accordance with NPT, BSPT, DIN 259, DIN 2999, ISO 228 Class A

Size	d (mm)	L (mm)	H (mm)	W (mm)	N (mm)	P (mm)
1/4"	11.6	50	52	102	12.7	28.5
3/8"	12.7	60	54	102	12.7	28.5
1/2"	15	75	62	123	12.7	28.5
3/4"	20	80	66	123	21	35
1"	25	90	77	153	21	35
1.1/4"	32	110	80	153	23.5	38
1.1/2"	38	120	91	183	23.5	38
2"	50	140	98	183	23.5	38
2.5"	65	185	139	246	35	54
3"	80	205	149	246	35	54

Key Features

- Blow-out proof stem/ full port
- Investment casting body
- Locking Device

No.	Description	Material
1	Body	WCB CF8M
2	Cap	WCB CF8M
3	Ball	CF8M
4	Seat	PTFE
5	Stem	SUS 316
6	Gasket	PTFE
7	Thrust Washer	PTFE
8	Packing	PTFE
9	Gland	AISI 304
10	Spring Washer	AISI 304
11	Stem Nut	AISI 304
12	Locking Device	AISI 304
13	Handle	AISI 304
14	Plastic Cover	Plastic



Orseal Ltd, Lynstock Way, Lostock, Bolton, BL6 4QR

T: +44 (0)1204474300 / F: +44 (0)1204474347

E: sales@orseal.com

W: www.orseal.com