



the valve specialists

A-730 TT

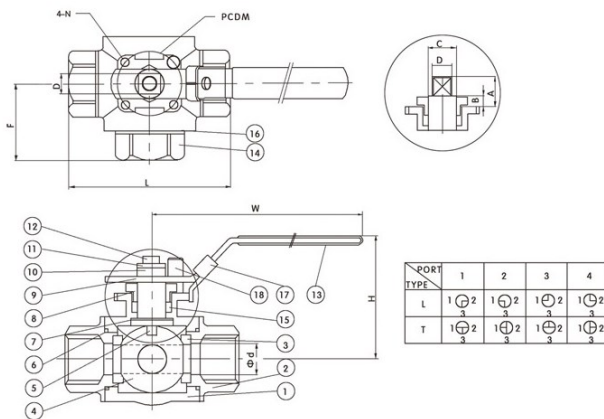
3-way Reduced Port Ball Valve



Three way reduced bore ball valve, screwed ends, PN63, PSI1000.

Key Features

- Blow-out proof stem/ lever operated
- Mounting pad for ISO 5211
- Option: Locking device



No.	Description	Material
1	Body	ASTM-A351-CF8M
2	End Cap	ASTM-A351-CF8M
3	Ball Seat	PTFE
4	Ball	ASTM-A351-CF8M
5	Stem	AISI 316
6	End Seal	PTFE
7	Thrust Washer	PTFE
8	Gland Nut	AISI 304
9	Handle	AISI 304
10	Handle Washer	AISI 304
11	Wash	AISI 304
12	Handle Nut	AISI 304
13	Plastic Cover	Plastic
14	End Cap	ASTM-A351-CF8M
15	Stem Packing	PTFE
16	End Seals	PTFE
17	Lock	AISI 304
18	Stop Pin	AISI 304

Size	Ød (mm)	L (mm)	B (mm)	D (mm)	A (mm)	F (mm)	W (mm)	H (mm)	M (mm)
1/4"	12.7	64	6	9	10.2	32	132	60	42
3/8"	12.7	64	6	9	10.2	32	132	60	42
1/2"	12.7	75	6	9	10.2	37.5	132	60	42
3/4"	16	84	6	10.7	16	42	155	73	50
1"	20	101	7.5	10.7	18	50.5	155	80	50
1.1/4"	25	119	7.5	10.7	18	54.5	155	85	50
1.1/2"	32	130	8.5	14	19	65	210	103	70
2"	38	151	8.5	14	19	75.5	210	110	70

Orseal Ltd, Lynstock Way, Lostock, Bolton, BL6 4QR

T: +44 (0)1204474300 / F: +44 (0)1204474347

E: sales@orseal.com

W: www.orseal.com