

A-641 TLD

Three piece full port ball valve



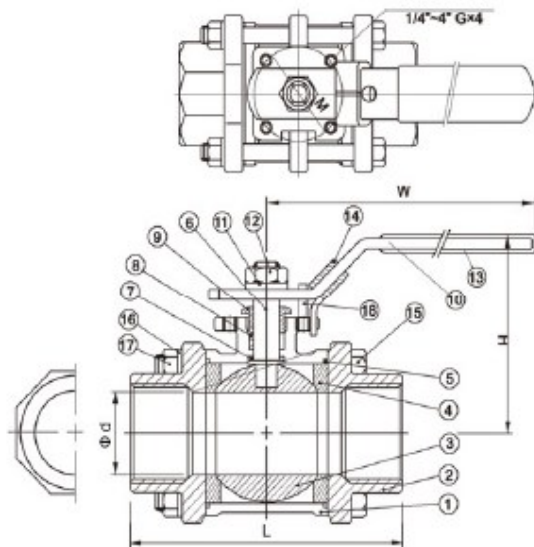
Three piece mounting pad full port ball valve
screwed ends, PN63, PSI1000.

Pipe thread in accordance with ANSI B2.1, BS
21-1973, DIN 259/2999, ISO 228

Key Features

- Blow-out proof stem/ full port
- Investment casting body and cap
- Option: Locking Device
- Mounting pad for ISO 5211

| Size | Ød (mm) | L (mm) | H (mm) | W (mm) | ØM (mm) | G (mm) |
|--------|---------|--------|--------|--------|---------|--------|
| 1/4" | 12.8 | 59 | 51 | 95 | 36 | M5 |
| 3/8" | 12.8 | 59 | 51 | 95 | 36 | M5 |
| 1/2" | 15 | 64 | 55 | 95 | 36 | M5 |
| 3/4" | 20 | 75 | 63 | 110 | 36 | M5 |
| 1" | 25 | 85 | 74 | 135 | 42 | M5 |
| 1.1/4" | 32 | 97 | 80 | 135 | 50 | M6 |
| 1.1/2" | 38 | 110 | 92 | 175 | 50 | M6 |
| 2" | 50 | 132 | 107 | 180 | 70 | M8 |
| 2.5" | 65 | 167 | 128 | 250 | 70 | M8 |
| 3" | 80 | 187 | 138 | 250 | 70 | M8 |
| 4" | 100 | 230 | 180 | 300 | 102 | M10 |



| No. | Description | Material |
|-----|---------------|----------|
| 1 | Body | CF8M/WCB |
| 2 | Cap | CF8M/WCB |
| 3 | Ball | CF8M/WCB |
| 4 | Ball Seat | CF8M/WCB |
| 5 | Joint Gasket | PTFE |
| 6 | Stem | AISI 316 |
| 7 | Thrust Washer | PTFE |
| 8 | Stem Packing | PTFE |
| 9 | Gland Nut | AISI 304 |
| 10 | Handle | AISI 304 |
| 11 | Stem Washer | AISI 304 |
| 12 | Stem Nut | AISI 304 |
| 13 | Plastic Cover | Plastic |
| 14 | Lock Device | AISI 304 |
| 15 | Bolt | AISI 304 |
| 16 | Spring Washer | AISI 304 |
| 17 | Hex nut | AISI 304 |
| 18 | Stop Pin | AISI 304 |

Orseal Ltd, Lynstock Way, Lostock, Bolton, BL6 4QR

T: +44 (0)1204474300 / F: +44 (0)1204474347

E: sales@orseal.com

W: www.orseal.com