



the valve specialists

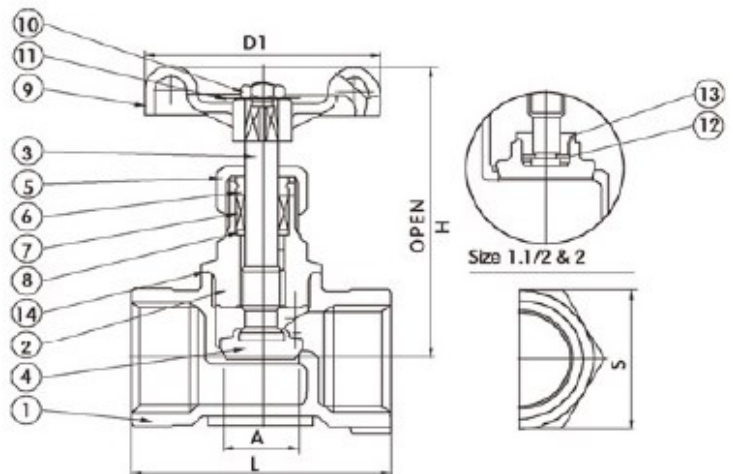
A-650T Stainless Steel Gate Valve



Description

- Threaded ends conform to ANSI B 2.1, BS 21-1973, DIN 259/2999, ISO 228
- Stainless steel class 200 inside screw and screwed bonnet, swivel disc integral seat, rising stem and handwheel

No.	Description	Material
1	Body	CF8M
2	Disc	CF8M
3	Stem	SS316
4	Disc	SS316
5	Packing Nut	CF8M
6	High Washer	SS304
7	Gland Packing	PTFE
8	Packing Washer	SS304
9	Handwheel	Cast aluminium
10	Wheel Nut	SS304
11	Plate	Aluminium
12	Disc Washer	SS316
13	Lock Nut	SS316
14	Joint Gasket	PTFE



Size	L (mm)	H (mm)	D1 (mm)	S (mm)	A (mm)	I (mm)
1/4"	45	80	70	21	10	3.5
3/8"	45	80	70	21	10	3.5
1/2"	52	80	70	25	10	4.7
3/4"	60	86	70	31	15	6
1"	71.5	103	80	40	20	7.5
1-1/4"	81	105	80	50	25	10
1-1/3"	91	124	90	54	32	11
2"	101	138	100	67	40	12

Orseal Ltd, Lynstock Way, Lostock, Bolton, BL6 4QR

T: +44 (0)1204474300 / F: +44 (0)1204474347

E: sales@orseal.com

W: www.orseal.com